

Current refinements (click  to remove)

[Search Tips](#)
 Region  USA  Product Family  Locking Fork Terminal, Vinyl Insulated – Funnel Entry  Text Search: 'PV14-6LF-C'

Your search criteria matched only one product, shown below.



- Locks in place for secure connection
- Fork design provides for fast and easy installation, without the need to remove fastener
- Insulation support helps to prevent wire damage in bending applications
- UL Flammability UL 94V-0, maximum insulation temperature 221°F (105°C)
- Internal barrel serrations assure good wire contact and maximum tensile strength
- UL and CSA rated to 600 V per UL 486

‡UL and CSA approved tooling/product combinations.

Part Number:	PV14-6LF-C
RoHS Compliance Status:	Compliant
Part Description:	Locking Fork Terminal, vinyl insulated, funnel entry, 18 – 14 AWG, #6 stud size.
Product Type:	Terminals
CSA Certified:	Yes
UL Listed:	Yes
Length (In.):	.90
Width (In.):	.25
Clearance:	.22
Max. Ins.:	.170
Panduit Color Code:	Blue
Stock:	.03
Stud Size:	#6
Tool:	CT-100A‡, CT-600-A‡, CT-1550‡, CT-1551‡, CT-2500‡
Wire Range:	18 – 14 AWG
Min. Order UOM:	PC
Min. Order Qty.:	100

BOM Qty. (# of Pkgs.)

[Add to My Catalog](#)

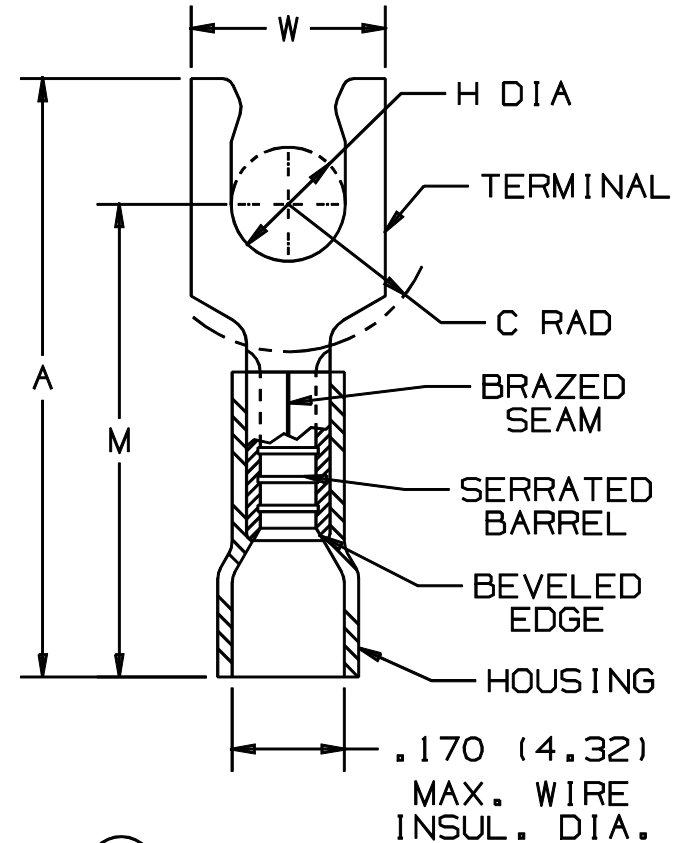
 Please [register](#) to utilize the 'Bill of Materials', 'Submit Quotes' and 'My Catalog' features.

THIS COPY IS PROVIDED ON A RESTRICTED BASIS AND IS NOT TO BE USED IN ANY WAY DETRIMENTAL TO THE INTERESTS OF PANDUIT CORP.

PANDUIT PART NUMBER	STUD SIZE	DIMENSIONS in.				
		A ±.03	W ±.01	C ±.02	M ±.03	H ±.01
PV14-6LF	#6	.90 (22.86)	.25 (6.35)	.22 (5.59)	.68 (17.27)	.14 (3.56)
PV14-6LFW	#6	.90 (22.86)	.29 (7.37)	.22 (5.59)	.68 (17.27)	.14 (3.56)
PV14-8LF	#8	.97 (24.64)	.29 (7.37)	.25 (6.35)	.73 (18.54)	.16 (4.06)
PV14-10LF	#10	.97 (24.64)	.33 (8.38)	.25 (6.35)	.73 (18.54)	.19 (4.83)
PV14-10LFN	#10	.97 (24.64)	.29 (7.37)	.25 (6.35)	.73 (18.54)	.19 (4.83)

NOTES:

1. UL LISTED & CSA CERTIFIED FOR
  - A. 600 V. MAX. VOLTAGE RATING (1000 V. MAX. IN SIGNS, FIXTURES AND LUMINAIRES.)
  - B. 18-14 AWG SOLID OR STRANDED COPPER WIRE & 221°F (105°C) MAX TEMP RATING, WITH THE CT-500 & CT-550, CT-1550, CT-1551 INSTALLATION TOOLS.
  - C. 16-14 AWG SOLID OR STRANDED COPPER WIRE & 167°F (75°C) MAX TEMP RATING WITH THE CT-100 INSTALLATION TOOLS.
2. MATERIAL:
  - A. STAMPING - .032 (.81) THK COPPER, TIN PLATED
  - B. HOUSING - VINYL, BLUE
3. STRIP LENGTH 5/16 <sup>+1/32</sup> -0
4. PACKAGE QTY.: -C=100/-M=1000
5. DIMENSIONS IN BRACKETS ARE IN MILLIMETERS



LISTED  
587H  
E52164



CERTIFIED  
LR31212

A41296\_09

09	1-01		RM	FILESPEC WAS N41296AA_PCD_08				<p>TINLEY PARK, ILLINOIS</p> <p>#16-14 BARREL FUNNELED VINYL INSULATED LOCKING FORK, .175 (4.45) MAX. WIRE INSULATION DIAMETER</p>								
08			JKD	ADDED CT-1550 & CT-1551	07634											
7	1-95	MC	RLS	UPDATED NOTES AND DIMENSIONS	02896	LCA	TFKE									
6	8-88	DW		REDRAWN WITH REVISIONS			JRB									
REV	DATE	BY	CHK	DESCRIPTION	ECN #	CUST	PM	<table border="0"> <tr> <td>DRAWN BY</td> <td>CHK'D</td> <td>SCALE</td> <td>DRAWING NO.</td> </tr> <tr> <td>DAW</td> <td>CJH</td> <td>NONE</td> <td>A41296</td> </tr> </table>	DRAWN BY	CHK'D	SCALE	DRAWING NO.	DAW	CJH	NONE	A41296
DRAWN BY	CHK'D	SCALE	DRAWING NO.													
DAW	CJH	NONE	A41296													